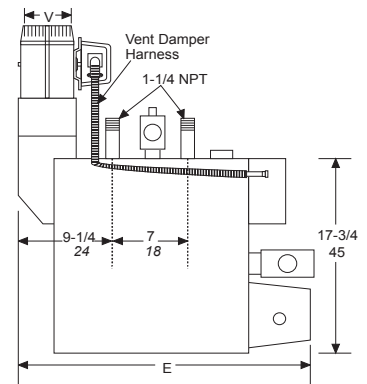
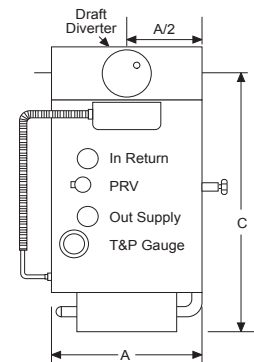
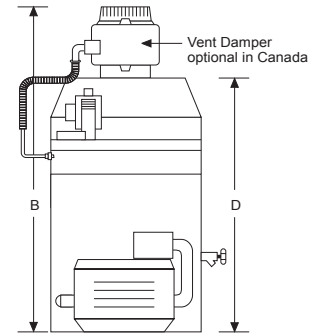


# Bradford White Residential Gas Fired Boilers

## Standard Equipment

- PI Controller
- Outdoor reset with ratios of 0.4 to 3.6
- Warm Weather Shutdown (WWSD)
- Domestic Hot Water Operation (DHW)
- Indicator lights for power, heat call, DHW call and WWSD
- Automatic boiler differential
- Pump pre-purge, post-purge and exercise
- Codes for sensor errors
- Venting: built-in draft diverter
- Design certified/tested by CSA International
- Natural or propane gas
- Maximum working pressure: water 30 P.S.I., ASME rated
- Hydrostatic test pressure at factory:60P.S.I.
- 30 psi ASME pressure relief valve
- Maximum gas supply pressure: Natural 10.5" W.C.; Propane 13" W.C.
- Pressure relief valve: capacity in excess of boiler input rating
- Material specifications per Section IV, ASME Code
- Headers: cast iron per ASME requirements
- Tubes: copper with integral formed external fins
- Main burners: aluminized steel
- Airsupply: natural aspiration
- Altitudes: 0–10,000 ft.
- Spark to pilot ignition
- Electrical: 115V-60Hz-1PH less than 12 Amps 24V transformer mounted and wired
- Pump relay: standard
- Vent damper and wire harness
- Blocked vent safety switch (B.V.S.S.) • Flame rollout safety switch
- Up to 85% AFUE
- 20-Year Limited Warranty



Size	Dimensions inches						Approx Weight lbs.
	A	B	C	D	E	V	
50	13-3/8	27-3/4	23-5/8	21-3/4	26-1/2	4	120
75	13-3/8	27-3/4	24-1/8	21-3/4	27-1/2	5	126
100	16-7/8	28-3/4	24-1/8	22-3/4	27-1/2	5	134
125	16-7/8	28-3/4	23-5/8	22-3/4	27-1/2	6	138
160	20-3/8	28-3/4	23-5/8	22-3/4	27-1/2	6	164
225	25-5/8	31-1/2	23-1/4	24-3/4	27-1/2	7	181

Size	Input		Heating Capacity				AFUE %		Water Conn. in.	Gas Conn.
	MBTU/h	kW	Nat Gas		Propane Gas		Nat Gas %	Prop Gas %		
50	50	14.7	43	12.6	43	12.6	85.0	85.4	1-1/4	1/2
75	75	22.0	64	18.8	64	18.8	85.0	85.2	1-1/4	1/2
100	100	29.3	85	24.9	85	24.9	85.0	85.0	1-1/4	1/2
125	125	36.6	106	31.1	106	31.1	85.0	85.0	1-1/4	1/2
160	160	46.9	136	39.8	136	39.8	85.0	85.0	1-1/4	1/2
225	225	65.9	191	56.0	190	55.7	85.0	85.0	1-1/4	3/4*

\*1/2" for propane

Code#	Description	Mfg#
<b>Brute Mini • BJVS Series</b>		
.1422061	50,000 BTU Boiler w/Pump	BJVS050ONDJSU2
.1425989	75,000 BTU Boiler w/Pump	BJVS075ONDJSU2
.1411924	100,000 BTU Boiler w/Pump	BJVS100ONDJSU2
.1425995	125,000 BTU Boiler w/Pump	BJVS125ONDJSU2

## Bradford White Residential Gas Fired Boilers

### Standard Equipment

- High condensing efficiency 95% AFUE
- Low pressure drop, fire tube heat exchanger design
- Full modulation
- 199MBH: 100% down to 10% of full fire(10:1 turndown)
- Sealed combustion chamber
- Pre-mix ceramic fiber burner
- Low NOx system
- Horizontal or vertical direct vent
- Vent and air pipe lengths of up to 100 equivalent feet (each)
- Stainless steel heat exchanger
- Low lead compliant
- Gas leak detection
- Stainless Steel DHW indirect tank storage heat exchanger with priority for on-demand hot water
- Manual reset high limit
- Wall mount bracket
- Field convertible between natural gas and propane
- 10-Year limited warranty



### Brute FT® Wall Hung

Specification	Units / Condition	HEATING ONLY		COMBI	
		BMFTHW100	BMFTHW140	BMFTCW140	BMFTCW199
Input, Max Fire	BTU/Hr. (kW)	100,000 (29)	140,000 (41)	140,000 (41)	199,000 (58)
Output, Max Fire	BTU/Hr. (kW)	93,000 (27)	130,200 (38)	133,000 (39)	189,050 (55)
Turndown	—	5:1	5:1	5:1	10:1
Efficiency	AFUE	95%			
Fuel	—	Natural Gas or Propane			
Gas Supply Pressure	in WC	3.5 - 14			
DHW Flow Rate	35° Temp Rise - GPM (l/m)	—	—	7.1 (27)	9.8 (37)
	45° Temp Rise - GPM (l/m)	—	—	5.5 (21)	7.7 (29)
	77° Temp Rise - GPM (l/m)	—	—	3.2 (12)	4.8 (18)
Minimum Flow Rate	GPM (l/m)	—	—	0.5 (1.9)	0.5 (1.9)
Air Intake Collar		3"			
Exhaust Outlet Collar		3"			
Space Heating 'CH' Supply (NPT)		1 1/4"		1"	
Space Heating 'CH' Return (NPT)		1 1/4"		1"	
DHW Outlet (NPT)		—		3/4"	
DHW Inlet (NPT)		—		3/4"	
Gas Inlet Connecton (NPT)		3/4"		1/2" <sup>†</sup>	3/4"
Condensate Line (NPT)		1/2"			
Pressure Relief Settings	psi (kPA)	30 (207)			
Vent Diameter / Eq Length	inches/Ft.	2 / 50*			
		3 / 100			
Vent Material	—	PVC, CPVC, Polypropylene, SS AL29-4C			
Power Supply	Volts / Hertz	120 / 60			
Shipping Weight	lbs. (kg)	98 (44)	102 (46)	111 (50)	130 (59)
Dimensions (HxWxD)	inches	29 x 17.3 x 15		29 x 17.25 x 15.5	32 x 19.6 x 16.3
Warranty	—	Limited 10-Year Warranty — 5-Year Parts Warranty			



\* Propane Models are limited to 25 equivalent feet of 2" diameter vent.

<sup>†</sup> 3/4" coupling provided.

Code#	Description	Mfg#
<b>Brute FT Series • Fire Tube • Natural Gas or LP</b>		
.1425727	100,000 BTU Heat ONLY Wall Mount	BMFTHW100NA1XN
.1425728	140,000 BTU Heat ONLY Wall Mount	BMFTHW140NA1XN
.1425730	199,000 BTU Combination Wall Mount	BMFTCW199NA1XN