

Bradford White Commercial eF Series® Ultra High Efficiency Gas Water Heater System

3 or 5-Year Limited Tank Warranties / 1-Year Limited Warranty on Component Parts.

For more information on warranty, please visit www.bradfordwhite.com

For products installed in USA, Canada and Puerto Rico.

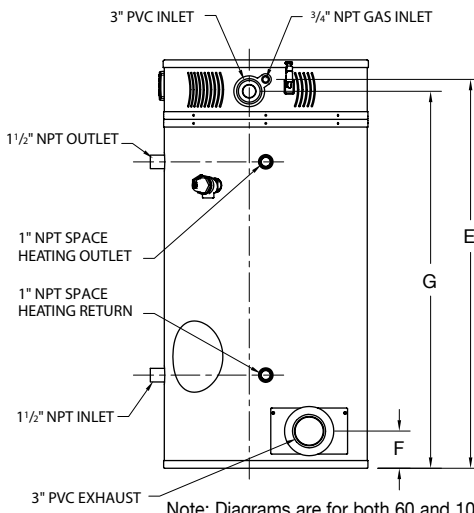
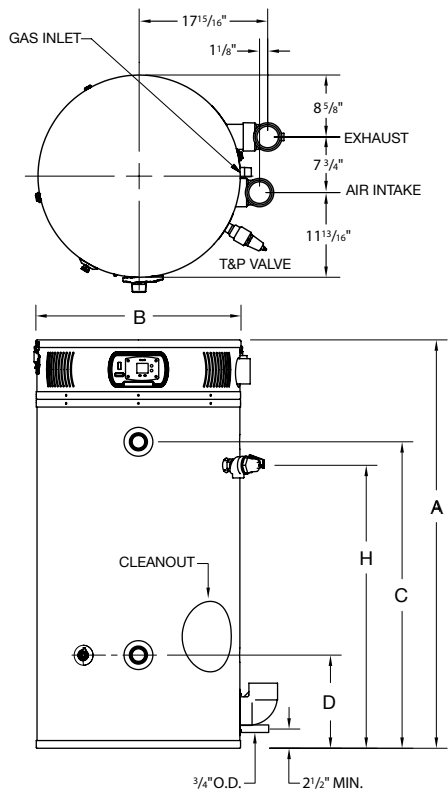
Some states do not allow limitations on warranties.

See complete copy of the warranty included with the heater.



The eF Series® Models feature:

- Thermal Efficiency up to 99.1%
- ICON HD™
- ENERGY STAR® Models Available— EF100T (150,199,250,399) Models.
- Factory Installed Hydrojet® Sediment Reduction System
- Direct Spark Ignition
- Operation Mode
- Service Mode
- Premix Power Burner



Note: Diagrams are for both 60 and 100 gallon models.

Roughing In Dimensions (Shown in Inches)

Gal Cap.	Model Number	GPH Recovery 100° rise	Nat. BTU/hr	Floor to Top of Unit A	Jacket Daimeter B	Floor to HOT Water C	Floor to COLD Water D	Floor to Gas E	Floor to Vent F	Floor to Intake G	Floor to T&P H	Water Conn.	Gas Conn.	Relief Valve	Point #
EF SERIES															
100	EF-100T-199E-3N	239	199,999	77-5/8	28-1/4	62-1/2	12-7/8	74-3/4	5	73-1/2	60	1-1/2	3/4	3/4	.1284338
100	EF-100T-399E-3N	451	399,999	77-5/8	28-1/4	63	13	74-1/4	5	73-1/2	60	1-1/2	1	1	.1284348
ENERGY FACTOR															
EF-100T-199		98.5													
EF-100T-399		94.0													

Bradford White Commercial eF Series® Ultra High Efficiency Gas Water Heater System

3 or 5-Year Limited Tank Warranties / 1-Year Limited Warranty on Component Parts.

For more information on warranty, please visit www.bradfordwhite.com

For products installed in USA, Canada and Puerto Rico.

Some states do not allow limitations on warranties.

See complete copy of the warranty included with the heater.



VENTING CHART

2" Vent Pipe	EF-60T-125		EF-60T-150 EF-100T-150		EF-60T-199 EF-100T-199					
	Power Direct Vent	Power Vent	Power Direct Vent	Power Vent	Power Direct Vent	Power Vent				
Max. Intake Length	15 ft.	N/A	15 ft.	N/A	15 ft.	N/A				
Max. Exhaust Length	15 ft.	30 ft.	15 ft.	30 ft.	15 ft.	30 ft.				

3" Vent Pipe	EF-60T-125 EF-100T-150		EF-60T-150 EF-100T-199		EF-60T-199 EF-100T-250		EF-100T-300		EF-100T-399	
	Power Direct Vent	Power Vent	Power Direct Vent	Power Vent	Power Direct Vent	Power Vent	Power Direct Vent	Power Vent	Power Direct Vent	Power Vent
Max. Intake Length	60 ft.	N/A	50 ft.	N/A	40 ft.	N/A	30 ft.	N/A	25 ft.	N/A
Max. Exhaust Length	60 ft.	120 ft.	50 ft.	100 ft.	40 ft.	80 ft.	30 ft.	60 ft.	25 ft.	50 ft.

4" Vent Pipe	EF-60T-125 EF-100T-150		EF-60T-150 EF-100T-199		EF-60T-199 EF-100T-250		EF-100T-300		EF-100T-399	
	Power Direct Vent	Power Vent	Power Direct Vent	Power Vent	Power Direct Vent	Power Vent	Power Direct Vent	Power Vent	Power Direct Vent	Power Vent
Max. Intake Length	85 ft.	N/A	75 ft.	N/A	65 ft.	N/A	55 ft.	N/A	50 ft.	N/A
Max. Exhaust Length	85 ft.	170 ft.	75 ft.	150 ft.	65 ft.	130 ft.	55 ft.	110 ft.	50 ft.	100 ft.

6" Vent Pipe	EF-100T-399	
	Power Direct Vent	Power Vent
Max. Intake Length	120 ft.	N/A
Max. Exhaust Length	120 ft.	240 ft.

Air intake cannot exceed exhaust by more than 30 ft. in any venting situation. Subtract 5 ft. for each additional 90° elbow.

eF Series® Optional Equipment Features:

Maxitrol Gas Pressure Regulating valve—Ensures proper supply pressure to eF unit of 7" to 11" W.C. (provided incoming pressure is between 1/2 and 2 psi). This can be ordered as a separate part, or as part of the heater. For the separate part, please use p/n 243-45517-00. Part is included with EF100T399 model.

NSF Compliance Kit—p/n 265-44542-04.

Low Inlet Gas Pressure Option—Pre-assembled to allow operation with natural gas inlet pressure down to 3.5" w.c. (Not available on EF-100T-300/399E-3N(A) models or any size propane models.)

Concentric Vent Kit Termination—3" termination fitting provides for only one exit opening through wall or roof (p/n 239-44069-01).

