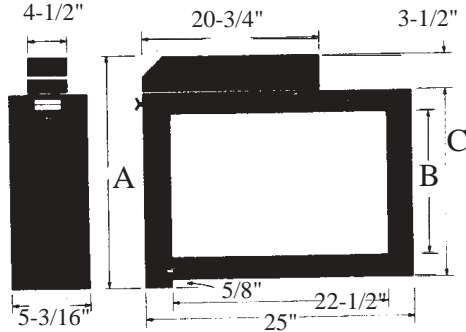




Trion Electric Air Cleaners

The Trim-TX air cleaner matches vertical horizontal, upflow and closet heating/cooling systems. It is designed and built to be serviced faster and easier, by removing the door, sliding out pre-filters & cells and placing in a dishwasher or sink. Its compact design (5-3/16 inches deep in direction of air flow) is ideally suited for the tight spaces in homes, apartments and condominiums. The cabinet is predrilled for duct mounting.

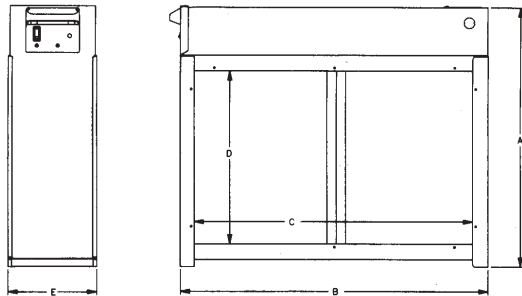
2-YEAR LIMITED WARRANTY
A complete statement of warranty is packed with each Trion electric air cleaner



Trim - TX Model

A	B	C
20-7/16"	13-3/4"	16-5/16"

MODEL	TRIM-TX (PN 441502)
RATED CAPACITY	1400 CFM* (2380 m3/hr.)
MAX PRESSURE DROP	.05 in w.g. @ 1400 CFM
CELL WEIGHT	(2) 6lbs. each (2.7 kg)
UNIT WEIGHT	32 lbs. (14.5kg)
POWER CONSUMPTION	40 Watts Maximum
ELECTRICAL INPUT*	120 Volts
ELECTRICAL OUTPUT	50/60 Hertz, 1 Phase 2.5MA @ 6200VDC
Trim - TX	Code # 456-0100



Trion's new high-performance HE 1400/2000 Electronic Air Cleaners have been designed with the dealer in mind. Our unique sliding tray provides quick, easy access, reducing your installation time while saving you money. The HE is another example of Trion's dedication to quality and continuous improvement. Trion's Residential Electronic Air Cleaners are recognized by dealer nationwide for the strongest cabinet, most reliable power supply, and the sturdiest cell in the industry.

	A	B	C	D	E
1400CFM	20-13/16	24-7/8	22-7/16	13-15/16	7-3/16
2000CFM	24-13/16	24-7/8	22-7/16	17-15/16	7-3/16

MODEL	EAC14001625 CFM	EAC20002025 CFM
MAX CAPACITY	1400CFM (2380m3/hr.)	2000CFM (3400 m3/hr.)
CELL WEIGHT	(2) 10 lbs. each (4.3 kg)	(2) 12 lbs. each(5.45 kg)
UNIT WEIGHT	41 lbs. (18.6 kg)	46lbs. (20.9 kg)
AMBIENT INSTALLATION CONDITIONS (MIN/MAX)	32° F(0° C) to 125° F(47° C)	32° F(0° C) to 125° F(47° C)
ELECTRICAL REQUIREMENTS		
INPUT VOLTS/HZ	125V, 50/60 HZ	120V, 50/60 HZ
INPUT POWER (MAX)	40 Watts	48 Watts
INPUT POWER (NORMAL)	18.5 Watts	23 Watts
OUTPUT VOLTS	6.2 kVDC	6.2 kVDC
OUTPUT AMPERES	2.5 mADC	3.2 mADC
EAC14001625 CFM	Code # 456-0106	
EAC20002025 CFM	456-0111	
248090-101 HE Airflow Sensorkit	456-0112	



Ultravation™ Progressive Media Air Cleaners

Straight-through Design

Ultravation® Media Air Cleaners improve indoor air quality as they remove particles from the air circulating through heating and/or air conditioning systems. These filters provide healthier indoor air while help reduce HVAC system energy consumption & maintenance costs. Designed for performance, Ultravation® filters feature progressive design filtration media that includes:

Progressive capture characteristics for long media filter life and minimized air flow resistance.

A permanently embedded electrostatic charge that attracts airborne particles and improves filter efficiency.

100% synthetic fibers, thermally bonded (no chemical adhesives)

Continuous fibers with radial pleating - resists shedding and maximizes holding capacity.No moisture absorption.

High sustained efficiency due to progressive filter structure and permanent electrostatic charging over filter life.

Filters meet UL Class II STD 900, rated to 180° F.

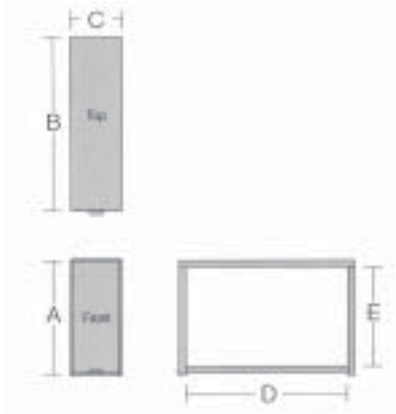
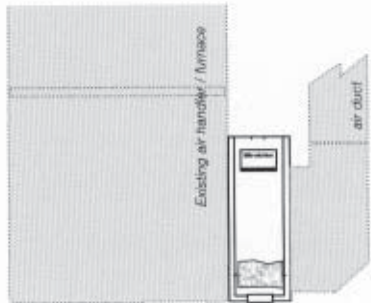
Technical Specifications

Media Air Cleaner

Model	Cabinet Dimensions	Duct Opening	Filter Size	Code #
90-0007DSM8	20-3/4" x 25-1/4" x 7-3/8"	23-1/4" x 18-3/8"	20" x 25" x 5"	456-0360

Replacement Filters

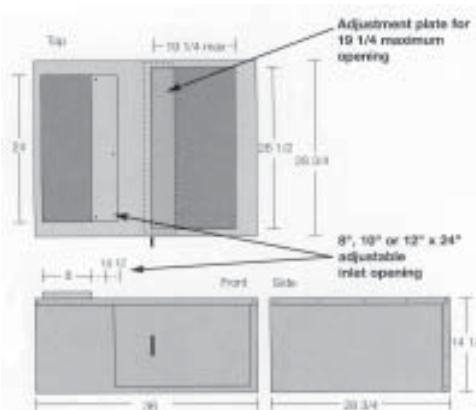
Model	Rating	Air Cleaner Model	Rated Velocity FPM	Initial Resistance in W.G.	Media Square Feet	Rated Air Flow	Code #
91-006	MERV11	MAC20255	300	.16	32.0	2000cfm	456-0357



Under Furnace Design

Air Cleaner

Model	Cabinet Dimensions	Max Furnace Opening	Code #
90-011	36 x 28-3/4" x 14-1/4"	26-1/2" x 13-1/2"	456-0365



All Ultravation Progressive Media Air Cleaners have been tested using ANSI / ASHRAE 52.2-1992 standard test procedures.



Ultravation™

Right Angle Design

Progressive Media Air Cleaners



- Efficient, Right Angle Design
- Versatile twin-door design.
- Easy filter changes.
- Less duct metal and less installation labor compared to straight through media filter designs.
- Right angle cabinet simplifies installation, creating a space saving "clean" install.
- Rugged construction - 10 year cabinet warranty
- Painted finish

Designed for performance, Ultravation® filters feature progressive design filtration media that includes:
 Progressive capture characteristics for long media filter life and minimized air flow resistance.
 A permanently embedded electrostatic charge that attracts airborne particles and improves filter efficiency.
 100% synthetic fibers, thermally bonded (no chemical adhesives)
 Continuous fibers with radial pleating - resists shedding and maximizes holding capacity.
 No moisture absorption
 High sustained efficiency due to progressive filter structure and permanent electrostatic charging over filter life.
 Filters meet UL Class II STD 900, rated to 180° F.

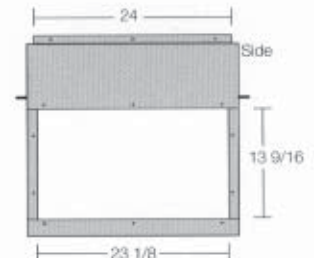
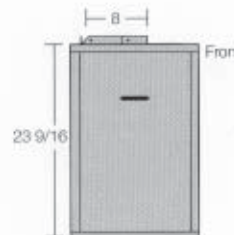
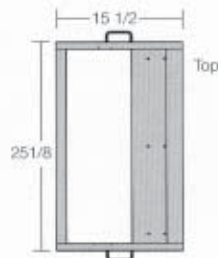
Technical Specifications

Air Cleaner

Model	Cabinet Dimensions	Duct Opening	Filter Size	Code #
90-0008DSM8	23-9/16" x 25-5/8" x 15-1/2"	23-1/8" x 13-9/16"	20" x 25" x 5"	456-0350

Replacement Filters

Model	Rating	Air Cleaner Model	Rated Velocity FPM	Initial Resistance in W.G.	Media Square Feet	Rated Air Flow	Code #
91-0003	MERV8	MAC20255	300	.16	32.0	2000cfm	456-0355





Ultravation™

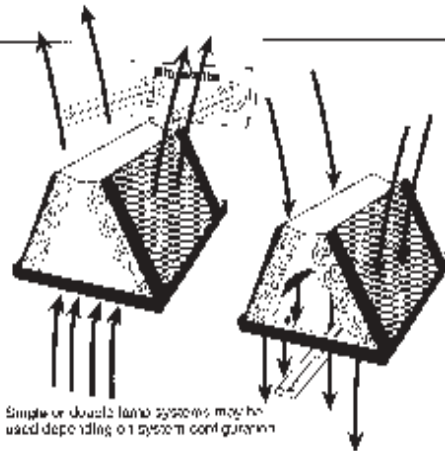
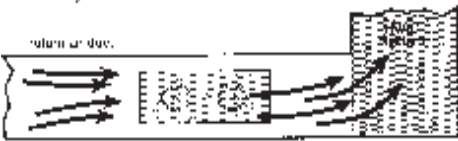


UVS-2036	UVS System Dual 16"	456-0300
LAMP0003	Repl Lamp for UVs2036	456-0310

Installation options

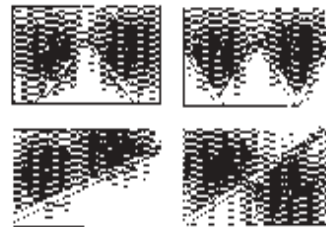
Configurations

The UV system can be placed at the coil, or at the system return. Placement at the coil allows direct exposure for optimum mold and fungi reduction. Placement at the return optimizes UV exposure time and intensity. Care should be taken to protect HVAC component parts that may be UV sensitive.

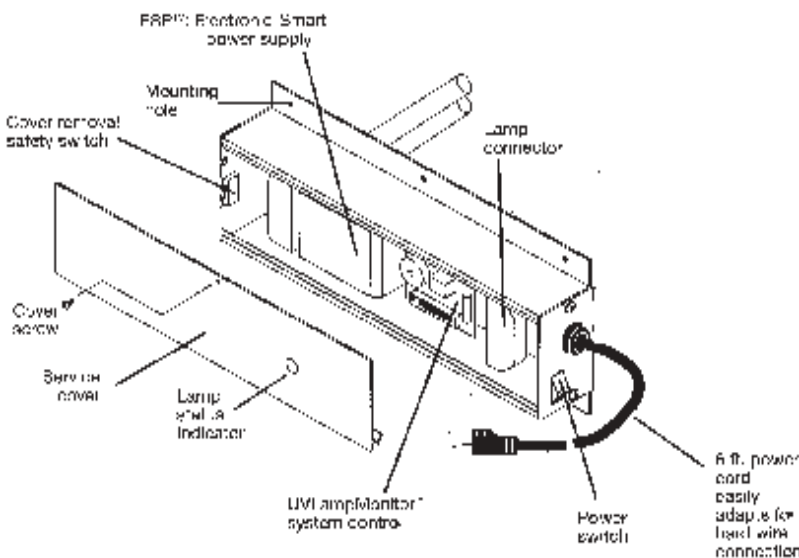


Single or dual-lamp systems may be used depending on system configuration.

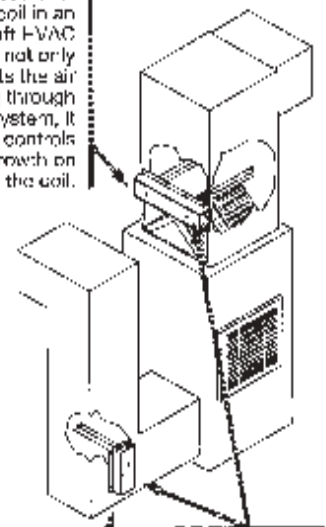
The UVS Series works with all common coil types



Typical layout



A UV system placed over the coil in an updraft HVAC design not only disinfects the air passing through the system, it directly controls mold growth on the coil.



A UV system placed on the return will disinfect the air before microorganisms have the opportunity to colonize in the HVAC system.

UV system is placed in both coat one keeps the entire system clean and greatly improves the amount of disinfection in a single pass.

Lamp measurements were obtained in accordance with the National Primary and Secondary Ambient Air Quality Standards Section 40 CFR part 60.


BestAIR Pro


Best Pleated Air Filter

Benefits and Features

MERV 8 Rated Efficiency

Upgrade From Standard Pleats

100% Synthetic Media (No Cotton Blends)

Low Initial Pressure Loss

Media Does Not Support Microbial Growth

May Earn Green Building Council LEED Credits

Heavy Duty Double Wall Moisture Resistant Frame

Code #	Description	Crt. Qty.	Model #
456-1040	Best Pleated Air Filter - 14x25x1	12	1-1425-PR8
456-1050	Best Pleated Air Filter - 16x20	12	1-1620-PR8
456-1060	Best Pleated Air Filter - 16x25	12	1-1625-PR8