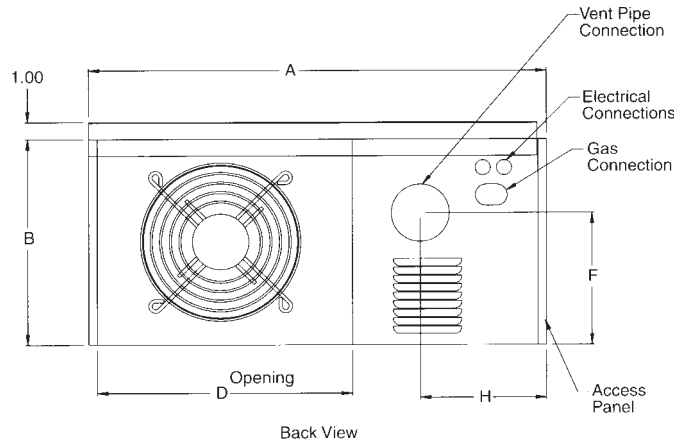
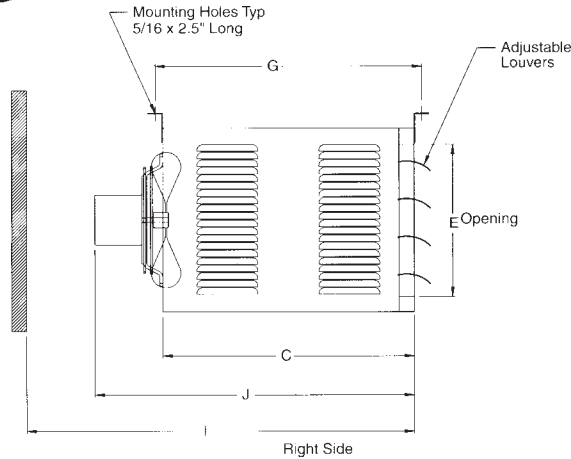




# Gas Fired Unit Heaters

## Model HD



### Dimensions (in inches)

|                         | HD30    | HD45    | HD60    | HD75    |
|-------------------------|---------|---------|---------|---------|
| A                       | 26.8    | 26.8    | 26.8    | 26.8    |
| B                       | 12.2    | 12.2    | 18.0    | 18.0    |
| C                       | 16.5    | 16.5    | 16.5    | 16.5    |
| D                       | 14.9    | 14.9    | 14.9    | 14.9    |
| E                       | 10.1    | 10.1    | 15.9    | 15.9    |
| F                       | 7.7     | 7.7     | 13.7    | 13.7    |
| G                       | 17.5    | 17.5    | 17.5    | 17.5    |
| H                       | 7.0     | 7.0     | 7.0     | 7.0     |
| Gas Conn.               | 1/2     | 1/2     | 1/2     | 1/2     |
| I                       | 28      | 28      | 31      | 31      |
| J                       | 22      | 22      | 25      | 25      |
| Fan Diameter            | 10      | 10      | 14      | 14      |
| Approx. Shipping Weight | 55 lbs. | 60 lbs. | 80 lbs. | 85 lbs. |



### Performance

| Models                    | HD30       | HD45   | HD60   | HD75   |        |
|---------------------------|------------|--------|--------|--------|--------|
| Btu/Hr Input              | 30,000     | 45,000 | 60,000 | 75,000 |        |
| Btu/Hr Output             | 24,000     | 36,000 | 48,000 | 60,000 |        |
| Entering Airflow (CFM)    | 505        | 720    | 990    | 1,160  |        |
| Outlet Velocity           | 523        | 749    | 653    | 769    |        |
| Air Temp. Rise (°F)       | 44         | 46     | 45     | 48     |        |
| Mounting Height (Max ft.) | 10         | 10     | 12     | 12     |        |
| Heat Throw (ft.)          | 25         | 27     | 36     | 38     |        |
| Motor Data                | Horsepower | 1/40   | 1/25   | 1/12   | 1/12   |
|                           | RPM        | 1,550  | 1,550  | 1,625  | 1,625  |
|                           | Type       | S.P.   | S.P.   | P.S.C. | P.S.C. |
|                           | Amps       | 1.5    | 2.5    | 3.0    | 3.0    |
| Unit Total Power (Amps)   | 2.9        | 3.9    | 4.4    | 4.4    |        |
| Vent Diameter (in.)       | 3          | 3      | 3      | 3      |        |

### Model Number

|            |         |          |
|------------|---------|----------|
| HD30AH0134 | Natural | 425-1900 |
| HD45AH0134 | Natural | 425-1905 |
| HD60AH0134 | Natural | 425-1910 |
| HD75AH0134 | Natural | 425-1915 |
| 3H34933-1  | LP Kit  | 425-1924 |

### Code#

**Mounting**

1" - angle, mounting brackets are slotted to accommodate joists on 16" or 24" centerlines.

| Clearances to Combustibles |     |
|----------------------------|-----|
| Top                        | 1"  |
| Flue Connector             | 2"  |
| Access Side                | 18" |
| Non-Access Side            | 1"  |
| Bottom                     | 1"  |
| Rear                       | 18" |



**GAS-FIRED UNIT HEATERS/PROPELLER  
TYPE - HORIZONTAL DELIVERY  
Natural Gas**

Model PD energy efficient propeller gas fired unit heater's application versatility, installation ease, long life, and excellent heat-throw are all characteristic of this most versatile unit heater type. Designed for suspended mounting, this unit heater requires only venting and connections to gas and electric service lines to place it in operation. Standard equipment includes a totally enclosed thermal-overload protected motor, adjustable horizontal air deflector blades (as shown), and a safety fan guard. The unit may be operated manually from an "on-off" electric switch or automatically controlled by a low voltage thermostat. Units are AGA and CGA certified. 115 Volts, 60 HZ, single phase with aluminized steel heat exchanger.



**Model PD  
Natural Gas  
LP Conversion kits available**

### STANDING PILOT

| Model Number | Total input BTU/hr. | Total output BTU/hr. | Cfm at 70 °F | Fpm  | Flue Rise | Air Temp Rise | Mtg Height Max ft.** | Heat Throw ft.* | HP   | Code#     |
|--------------|---------------------|----------------------|--------------|------|-----------|---------------|----------------------|-----------------|------|-----------|
| PD30A-0111   | 30,000              | 24,000               | 440          | 515  | 3"        | 51            | 7                    | 25              | 1/40 | Non-stock |
| PD50A-0111   | 50,000              | 40,000               | 740          | 610  | 4"        | 50            | 9                    | 33              | 1/40 | Non-stock |
| PD75A-0111   | 75,000              | 60,000               | 1100         | 736  | 5"        | 51            | 12                   | 41              | 1/12 | Non-stock |
| PD100A-0111  | 100,000             | 80,000               | 1460         | 860  | 6"        | 51            | 14                   | 49              | 1/12 | 425-2017  |
| PD125A-0111  | 125,000             | 100,000              | 1850         | 870  | 6"        | 50            | 14                   | 51              | 1/8  | 425-2022  |
| PD150A-0111  | 150,000             | 120,000              | 2180         | 931  | 7"        | 51            | 16                   | 55              | 1/8  | 425-2027  |
| PD200A-0111  | 200,000             | 160,000              | 2890         | 819  | 7"        | 52            | 15                   | 51              | 1/6  | 425-2032  |
| PD250A-0111  | 250,000             | 200,000              | 3700         | 1053 | 8"        | 50            | 19                   | 67              | 1/3  | 425-2037  |

\*At 65° F. ambient and unit fired at full rated input.

\*\* Mounting height is measured floor to bottom of unit.

#### LP Conversion Kits - PV

| Model      | Used With | Code#    | Price |
|------------|-----------|----------|-------|
| 3H33749C1  | PV30      | 425-2101 | 38.23 |
| 3H33749C2  | PV50      | 425-2106 | 38.23 |
| 3H33749C14 | PV75      | 425-2111 | 38.23 |
| 3H33749C4  | PV100     | 425-2116 | 42.05 |
| 3H33749C5  | PV125     | 425-2121 | 42.05 |
| 3H33749C6  | PV145     | 425-2126 | 47.15 |
| 3H33749C8  | PV200     | 425-2131 | 47.15 |
| 3H33749C10 | PV250     | 425-2136 | 59.89 |

#### LP Conversion Kits - PD

| Model     | Used With | Code#    |
|-----------|-----------|----------|
| 33H4670-1 | PD30      | 425-3035 |
| 33H4670-2 | PD50      | 425-3030 |
| 33H4670-3 | PD75      | 425-3025 |
| 33H4670-4 | PD100     | 425-3020 |
| 33H4670-5 | PD125     | 425-3015 |
| 33H4670-6 | PD150     | 425-3010 |
| 33H4670-8 | PD200     | 425-3005 |
| 33H4670-9 | PD250     | 425-3000 |

#### HIGH-EFFICIENCY II GAS-FIRED POWER VENT UNIT HEATERS/PROPELLER - 80% Thermal Efficiency

Model PV includes a power exhauster which can be rotated 180 degrees, venting can be either vertical or horizontal, it is certified for use with Type B double wall vent pipe and is designed to use the smallest diameter vent pipe possible (and still accomplish Category I on all vertical vents), thus minimizing installation costs. The unit may be operated manually from an "on-off" electric switch or automatically controlled by a low voltage thermostat. Units are AGA and CGA certified. 115 Volts, 60 HZ, single phase with aluminized steel heat exchanger. Standardized 100% shut-off, intermittent pilot ignition and safety pressure switch.

|             | BTU/hr Input | BTU/hr Output | Vent Diameter | CFM @ 70 °F | Air Temp Rise | Max Mtg. Hgt | Heat Throw (ft.) | Motor HP | Code #   |
|-------------|--------------|---------------|---------------|-------------|---------------|--------------|------------------|----------|----------|
| PV50AE0130  | 50,000       | 40,000        | 3             | 740         | 50            | 8            | 27               | 1/40     | 425-2181 |
| PV75AE0130  | 75,000       | 60,000        | 3             | 1130        | 49            | 11           | 39               | 1/30     | 425-2176 |
| PV100AE0130 | 100,000      | 80,000        | 4             | 1440        | 51            | 10           | 36               | 1/30     | 425-2171 |
| PV125AE0130 | 125,000      | 100,000       | 4             | 1850        | 50            | 13           | 47               | 1/15     | 425-2186 |
| PV145AE0130 | 145,000      | 116,000       | 4             | 2400        | 46            | 17           | 59               | 1/6      | 425-2191 |
| PV200AE0130 | 200,000      | 160,000       | 5             | 3000        | 52            | 16           | 55               | 1/6      | 425-2196 |

\*At 65° F ambient and unit fired at full rated input. Mounting height is as measured from floor to bottom of unit.



**STEAM AND HOT WATER UNIT HEATERS  
HORIZONTAL DELIVERY TYPE**

*Proven one of the most popular of all unit heater types, the horizontal model is ideal for general commercial and industrial heating applications.*

*They install faster, easier, and at less cost because they are light in weight. Yet they are ruggedly constructed to resist more than normal abuse in both handling and on the job.*

*Carefully selected motors and fans, and a scientifically designed venturi fan shroud reduce noise levels to satisfactory minimums.*

*Their attractive grey-green baked on enamel finish lasts longer due to the rust protective treatment of sheet metal casing parts.*

*Standard units include a totally-enclosed motor, thermal-overload protection and adjustable horizontal deflector blades.*

*A built-in safety fan guard furnishes protection from the hazards of an exposed fan.*

*Adjustable horizontal air deflector blades are standard. Vertical deflector blades (optional at additional cost) permit complete directional control of air.*

*Also available in low outlet temperature models.*

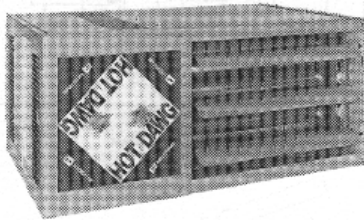
*115 Volts, 60HZ, Single phase.*



**Model HS**

| Performance Data |      |          | 2# Steam Rating<br>60° Ent. Air |        |      | 200° Water Rating<br>60° Entering Air |                |                            |     |                     | Throw             |        |          |
|------------------|------|----------|---------------------------------|--------|------|---------------------------------------|----------------|----------------------------|-----|---------------------|-------------------|--------|----------|
| Model Number     | HP   | Prox RPM | Final Condensate Air            |        |      | Water Flow<br>GPM                     | Final Air Temp | Press. Drop<br>ft of water | CFM | Max Mtg. Ht.<br>ft* | at Max Ht.<br>ft* | Code # |          |
|                  |      |          | btu/hr                          | #/H.R. | Temp |                                       |                |                            |     |                     |                   |        |          |
| HS-18            | 1/60 | 1550     | 18,000                          | 18     | 107  | 12,400                                | 1.3            | 93                         | 0.5 | 340                 | 8                 | 17     | 425-1700 |
| HS-24            | 1/25 | 1550     | 24,000                          | 25     | 119  | 16,600                                | 1.7            | 101                        | 0.8 | 370                 | 9                 | 18     | 425-1710 |
| HS-33            | 1/25 | 1550     | 33,000                          | 35     | 108  | 21,600                                | 2.2            | 91                         | 0.2 | 630                 | 10                | 21     | 425-1720 |
| HS-47            | 1/12 | 1550     | 47,000                          | 49     | 119  | 30,800                                | 3.2            | 98                         | 0.3 | 730                 | 12                | 28     | 425-1730 |
| HS-63            | 1/12 | 1550     | 63,000                          | 66     | 111  | 44,800                                | 4.6            | 96                         | 0.8 | 1120                | 14                | 29     | 425-1740 |
| HS-86            | 1/8  | 1625     | 86,000                          | 89     | 118  | 62,600                                | 6.5            | 102                        | 1.4 | 1340                | 15                | 31     | 425-1750 |
| HS-108           | 1/8  | 1625     | 108,000                         | 111    | 109  | 81,000                                | 8.4            | 96                         | 3.2 | 2010                | 17                | 31     | 425-1760 |
| HS-121           | 1/6  | 1075     | 121,000                         | 126    | 122  | 91,900                                | 9.5            | 107                        | 4.0 | 1775                | 16                | 25     | 425-1770 |

*\*Mounting height is measured from floor to bottom of unit.*

## The Hot Dawg Garage Heater

### Hot Dawg Model HD power-exhausted, gas-fired unit heater

- Hush-puppy quiet operation.
- Uses natural or propane gas.
- Certified for residential, commercial and industrial use.
- Low-profile design and neutral color to blend in with decor.
- Lightweight, easily installs 1" from ceiling with only 2 angle brackets (included on sizes 30-75, accessory for 100, 125).
- Install quickly and easily with field wiring connections and knockouts for quick access to gas and electricity.
- Standard power exhaust simplifies side-wall or roof venting with small-diameter vent pipe.
- Right or left hand controls available on all 30-75 units. Gas, electrical and flue connections can be changed by simply flipping the Hot Dawg over.
- Permanently-lubricated motor for trouble-free dependability.
- Full 10-year warranty on heat exchanger.
- Also available with a blower. Contact Modine for further information.

### Hot Dawg Heaters

| Code #   | Description        | Part#       |
|----------|--------------------|-------------|
| 425-1901 | Natural Heater     | HD30AS0111  |
| 425-1906 | Natural Heater     | HD45AS0111  |
| 425-1810 | LP Heater          | HD45AS0121  |
| 425-1911 | Natural Heater     | HD60AS0111  |
| 425-1815 | LP Heater          | HD60AS0121  |
| 425-1916 | Natural Heater     | HD75AS0111  |
| 425-1820 | LP Heater          | HD75AS0121  |
| 425-1920 | Natural Heater     | HD100AS0111 |
| 425-1825 | LP Heater          | HD100AS0121 |
| 425-1926 | LP Kit             | 53079       |
| 425-1927 | LP Kit for HD100AS | 53080       |

### For The Heat You Need, Just Unleash A Hot Dawg!

| Unit          | Btu/Hr Input   | Typical Application   |
|---------------|----------------|-----------------------|
| HD 30         | 30,000         | 1 to 1-1/2 Car Garage |
| HD 45         | 45,000         | 2 to 2-1/2 Car Garage |
| HD 60         | 60,000         | 3 to 3-1/2 Car Garage |
| HD 75,100,125 | 75,000-125,000 | Large Garage          |