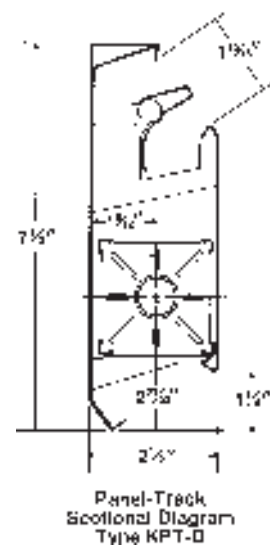
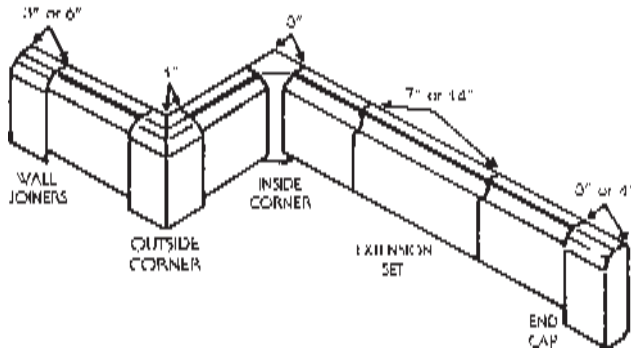




Fin Tube Radiation



Panel Track Model KPT-D white Baseboard is available in factory assembled Red-E-Pak complete with 3/4" element in 2 foot through 8 foot lengths, Cover assembly in 3 foot through 10 foot lengths , and 3/4" polypropylene tracked element in 2 foot through 8 foot lengths.

The new, improved, heavy-gauge support bracket design assures perfect alignment of the enclosure and holds the front panel firmly in place.

Model KPT-D is quick, easy and economical to install. Its full range of matching telescopic accessories reduce labor costs by eliminating the cutting and piecing of baseboard on the job.

Cover Assembly. Completely assembled enclosure without element. Model KCA-D.

Description	Size	Code#
Enclosure Only	2 ft.	405-3012
Enclosure Only	3 ft.	405-3013
Enclosure Only	4 ft.	405-3014
Enclosure Only	5 ft.	405-3015
Enclosure Only	6 ft.	405-3016
Enclosure Only	7 ft.	405-3017
Enclosure Only	8 ft.	405-3018
Enclosure Only	10 ft.	405-3020



KE Element Only, Bulk pack 3 lengths of one size to a carton (can order single piece). 1/2" element available on special order.

Description	Size	Code#
3/4" Element	2 ft.	405-3032
3/4" Element	3 ft.	405-3033
3/4" Element	4 ft.	405-3034
3/4" Element	5 ft.	405-3035
3/4" Element	6 ft.	405-3036
3/4" Element	7 ft.	405-3037
3/4" Element	8 ft.	405-3038

Accessories

Item	Part #	Quantity per Ctn.	Code #
END CAP - 3" wide - Left	KCC-L	12	405-3050
END CAP - 3" wide - Right	KCC-R	12	405-3051
HINGED END CAP - 4" wide - Left	KHC-L	12	405-3060
HINGED END CAP - 4" wide - Right.....	KHC-R	12	405-3061
VALVE ENCLOSURE - 9" wide - Left	KVE-L	12	405-3070
VALVE ENCLOSURE - 9" wide - Right	KVE-R	12	405-3071
INSIDE CORNER - 90 degrees	KIC	12	405-3076
INSIDE CORNER - 135 deg/45 deg	KIC-45	12	405-3082
OUTSIDE CORNER - 90 degrees	KOC	12	405-3088
OUTSIDE CORNER - 135 deg/45 deg	KOC-45	12	405-3094
WALL JOINER - 3"	KWJ-3	24	405-3098
WALL JOINER - 5"	KWJ-5	12	405-3104
EXTENSION SET - 7"	KEX-7	24	405-3108
EXTENSION SET - 14"	KEX-14	12	405-3112
DAMPER JOINER - 2" wide	KDJ	10	405-3118
TUBE SUPPORT FOR RETURN LINES	KTS	10	405-3124
*SPLICER SET	KSP	12	405-3128
**HANGER BRACKETS	KHB	12	405-3134
COPPER RETURN BEND 3/4" (for return line)	KRB	24	405-3140

*Splicer set supplied free of charge in 5 ft. through 10 ft. lengths of Red-E-Pak and cover assembly. Prices are for additional quantities

**These items included in each baseboard carton at no charge. Prices are for additional quantities

APPROVED WATER RATINGS
CAPACITY OF EMBASSY MODEL KPT-D BASEBOARD
BTU/hr. lineal foot MODEL KPT-D 3/4" 65 deg. Air
Average Hot Water Temperatures

GPM	#/hr.	170 deg.F	180 deg.F	190 deg.F	200 deg.F	210 deg.F	220 deg.F	230 deg.F	240 deg.F
4	2000	510	580	640	710	770	850	910	970
1	500	480	550	610	670	730	800	860	920

Ratings approved under the Fourth Edition of the I-B-R Testing and Rating Code for Baseboard Radiation. As allowed by this code, 15% has been added for heating effect. Ratings are based on active finned length which is 3" less than ordering length. The use of I-B-R approved ratings or 4 G.P.M. is recommended for all normal loop systems, where the water flow rate is equal to 4 G.P.M. the I-B-R approved ratings of 1 G.P.M. must be used.