



Salo Shower and Tub Showers



R-H Code	Description	Color	Mfg. #
----------	-------------	-------	--------

Model 136 – 36 Inch One Piece Shower

OD: 36"W x 37"D x 77-3/4"H

Door Opening: 31-1/2" x 69-3/4"H

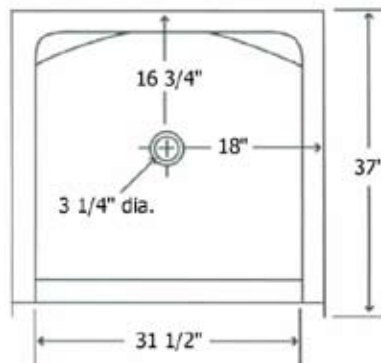
Features:

- One-Piece unit
- 7-1/4" threshold
- Two elevated soap ledges
- Non-skid floor
- Gel Coat finish

Options:

- Dome available

138-0300	36 Inch One Piece Shower	White	136
----------	--------------------------	-------	-----

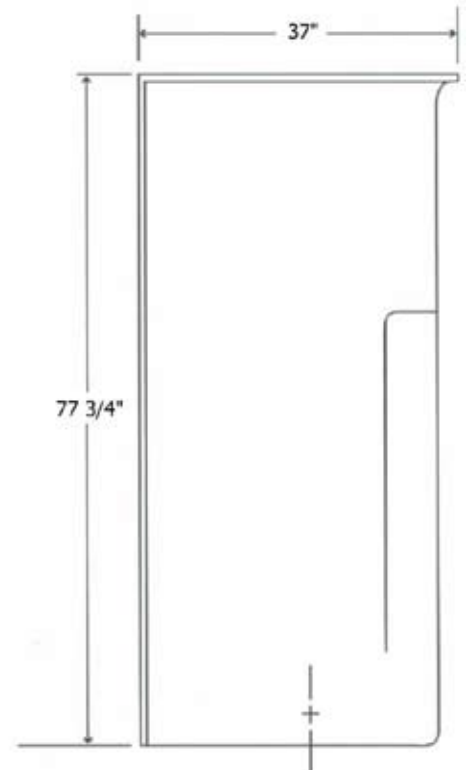
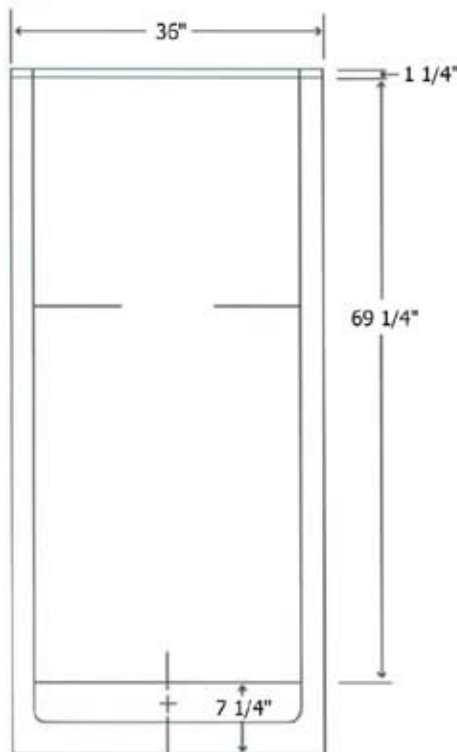


Ceiling dome is optional.

Floor to Floor: 2"

All dimensions may vary.

Salo products are independently certified to meet ANSI Z 124 and HUD Bulletin 73A requirements.





R-H Code	Description	Color	Mfg. #
----------	-------------	-------	--------

Model 138 Neo Angle Corner Shower

OD: 39-1/2"W x 39-1/2"D x 82"H

Door Opening: 16-1/2" x 24" x 16-1/2" x 73-3/4"H

Features:

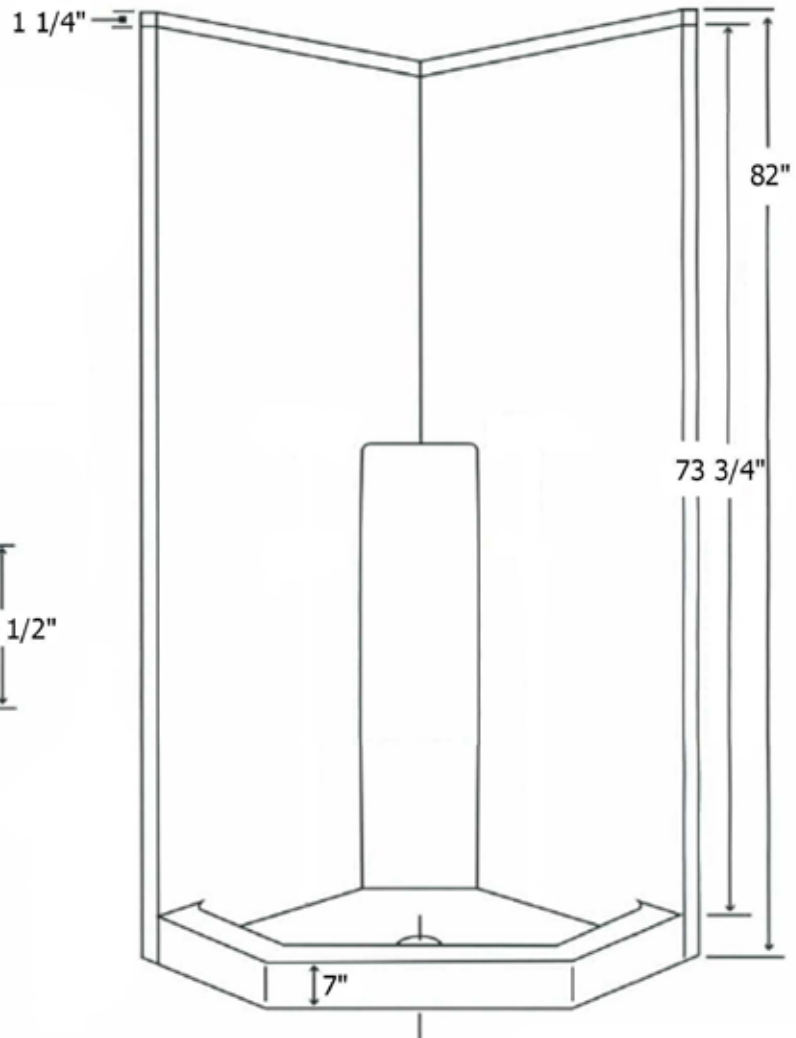
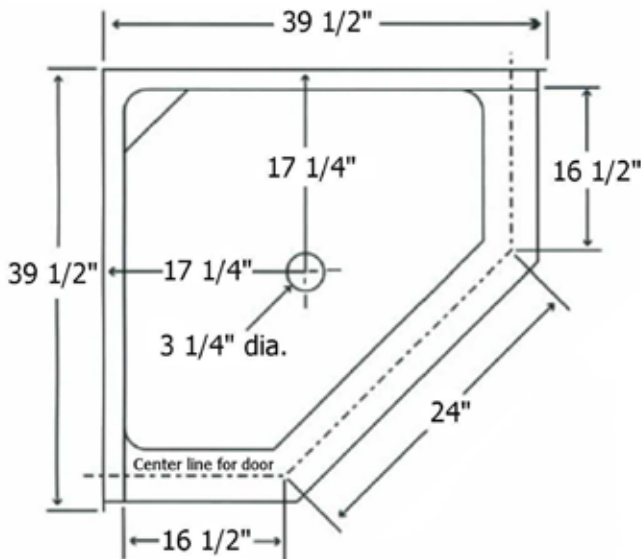
- One-Piece unit
- 7" threshold
- Single elevated soap ledge
- Space-saving desing
- Non-skid floor
- Gel Coat finish

138-1600	Neo Angle Corner Shower	White	138 Neo
----------	-------------------------	-------	---------

Floor to Floor: 1 1/4"

All dimensions may vary.

Salo products are independently certified to meet ANSI Z 124 and HUD Bulletin 73A requirements.





R-H Code	Description	Color	Mfg. #
----------	-------------	-------	--------

Model 148 – 48 Inch One Piece Shower Stall

OD: 48"W x 36"D x 80-3/4"H
Door Opening: 45"W x 73"H

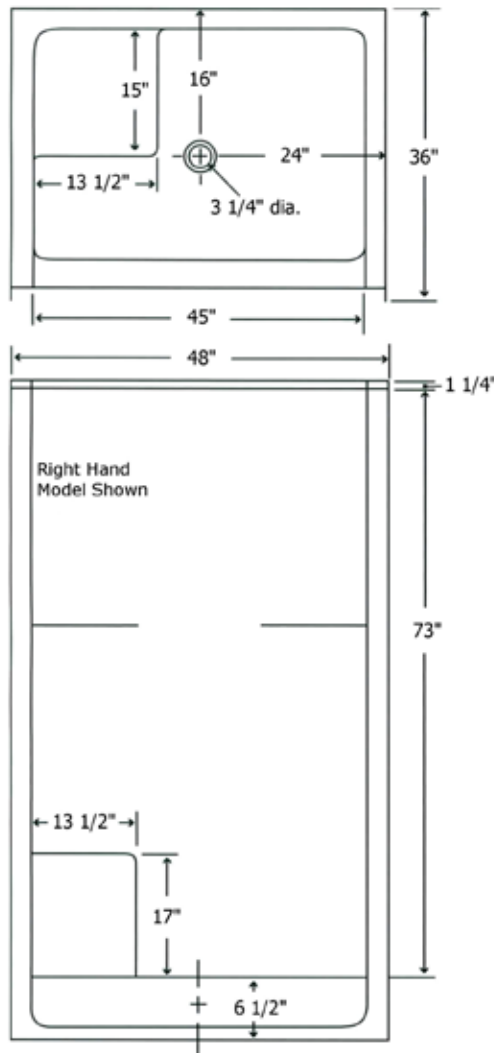
Features:

- One-piece unit
- 6-1/2" threshold
- Two elevated soap ledges
- One molded seat on LH and RH models
- Non-skid floor
- Gel Coat finish

Options:

- Dome available

138-0500	Right Hand Seat - Left Hand Plumbing	White	148L
138-0600	Left Hand Seat - Right Hand Plumbing	White	148R
138-0700	No Seat	White	148NS



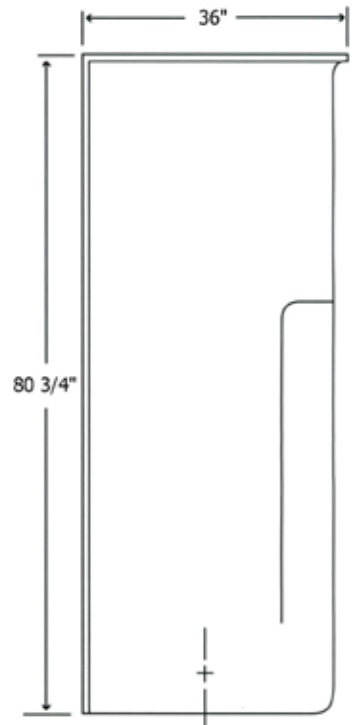
Units available in:
 Left-Hand Model: LH plumbing/RH seat
 Right-Hand Model: RH plumbing/LH seat
 No Seat Model: No seat/LH or RH plumbing

Ceiling dome is optional.

Floor to Floor: 2"

All dimensions may vary.

Salo products are independently certified to meet ANSI Z 124 and HUD Bulletin 73A requirements.





R-H Code	Description	Color	Mfg. #
----------	-------------	-------	--------

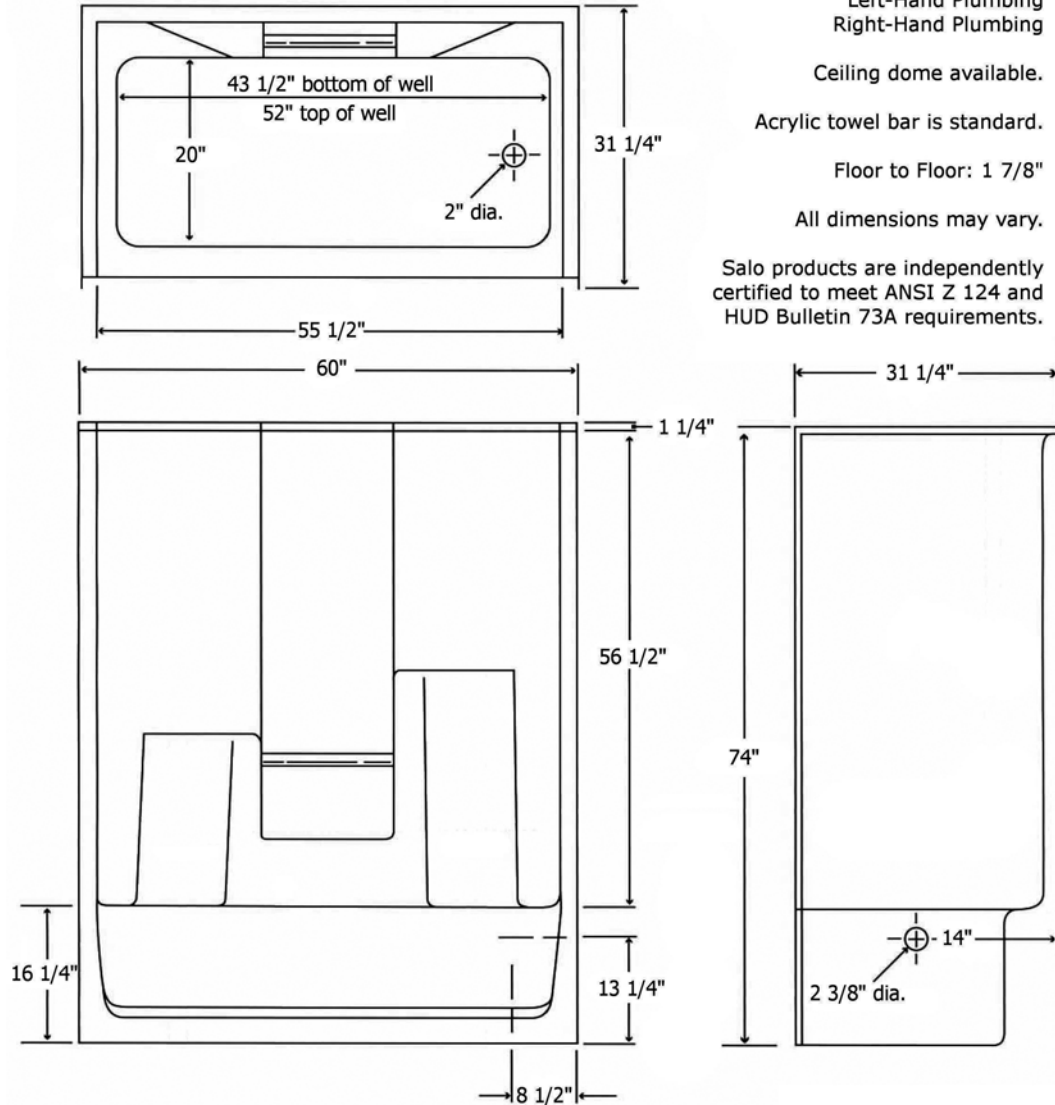
Model T160-30 – 60 x 30 One Piece Tub/Shower

OD: 60"W x 31-1/4"D x 74"H
Door Opening: 55-1/2"W x 56-1/2"H

- Features:**
- One-Piece unit
 - 16-1/4" threshold
 - Two elevated soap ledges
 - Acrylic towel bar
 - Non-skid floor
 - Gel Coat finish

- Options:**
- Dome available

138-2150	Left Hand Plumbing	White	T160-30L
138-2175	Right Hand Plumbing	White	T160-30R



Units available in:
 Left-Hand Plumbing
 Right-Hand Plumbing

Ceiling dome available.

Acrylic towel bar is standard.

Floor to Floor: 1 7/8"

All dimensions may vary.

Salo products are independently certified to meet ANSI Z 124 and HUD Bulletin 73A requirements.



R-H Code	Description	Color	Mfg. #
----------	-------------	-------	--------

Model T160 – 60 x 32 One Piece Tub/Shower

OD: 60"W x 33-1/4"D x 74"H

Door Opening: 55-1/2"W x 56-1/2"H

Features:

- One-Piece unit
- 16-1/4" threshold
- Two elevated soap ledges
- Acrylic towel bar
- Non-skid floor
- Gel Coat finish

Options:

- Dome available

138-2000	Left Hand Plumbing	White	T160L
138-2100	Right Hand Plumbing	White	T160R

