

ADVANTAGE

Baths


JETTA

Jetta Advantage Baths

Advantage Features Include:

- * 1 B.H.P. pump with safety suction
- * On/Off air switch for safety and convenience
- * High gloss / high impact acrylic
- * Lumbar back support for comfort
- * Non-skid bottom
- * Pre-leveled lip and self leveling rim
- * 1-year limited factory warranty



Integral Skirt

Integral Skirts

Integral skirts with access are available on the E1 *, E2*, E3*, E12** and E13** models. The skirts are molded along with the bath for a solid, one piece construction. This convenient installation saves you time and money plus the removable panels ensure quick and easy access.

- * *E1, E2 and E3 are designed with a 3-Panel access*
- ** *E12 and E13 have integral tile flange*



E-2



E-12



E-13



E-22

See <http://www.jettacorp.com> for current dimensions



ADVANTAGE
Baths



E-13

Code #	Description	Model #
--------	-------------	---------

E-13

Fitting into the space of a standard bath, this model with an integral skirt is a perfect choice for your bath.

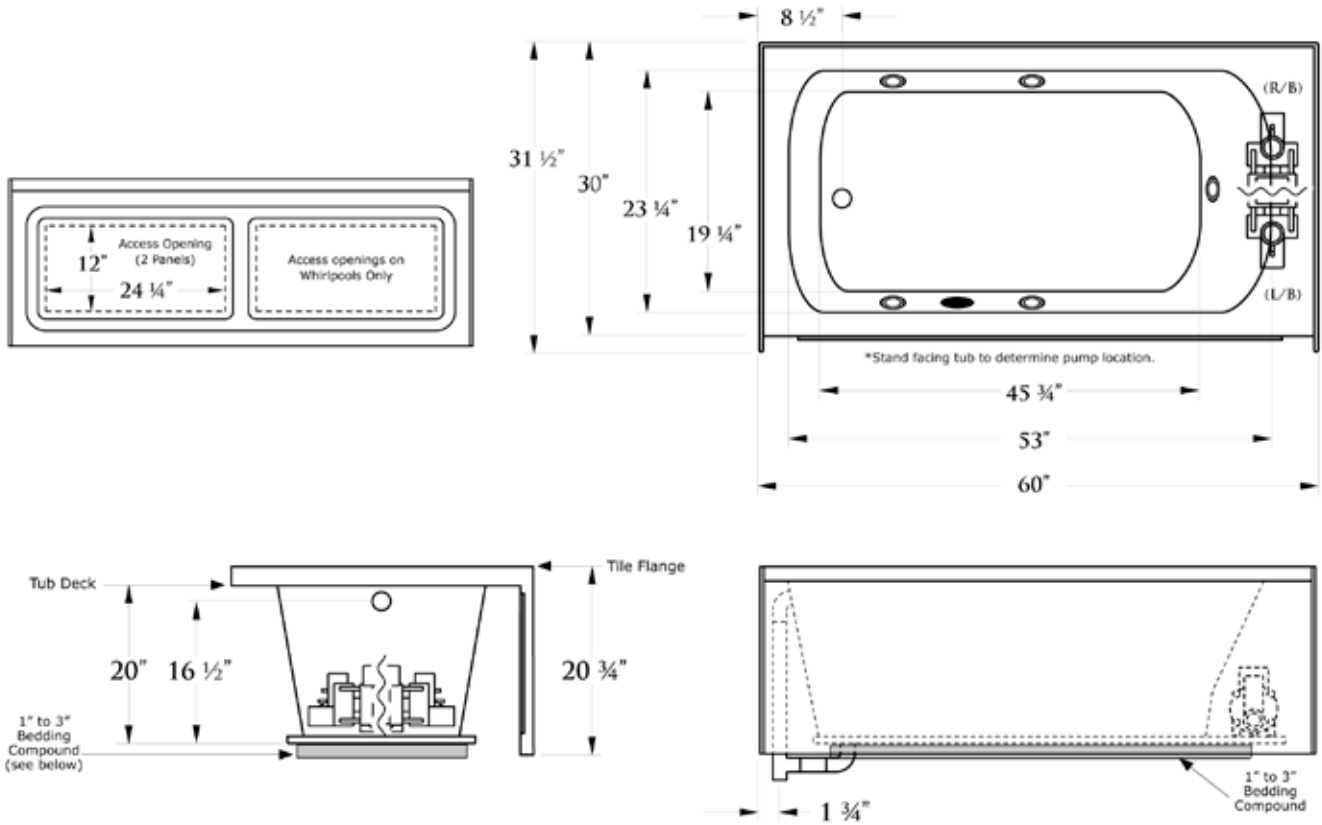
- 60 x 30 x 20
- Shape: Rectangle
- Number of jets: 5

5 directional jets including

- 1 back jet
- 2 hip jets
- 2 side jets

- * Integral skirt with access (2 Panel design)
- * Molded tile flange

118-0100	White Skirted Whirlpool	E13S-6385LHLB
118-0110	White Skirted Whirlpool	E13S-6385RHRB
118-0120	White Skirted Soaker	E13S-6385LHNJ
118-0130	White Skirted Soaker	E13S-6385RHNJ



See <http://www.jettacorp.com> for current dimensions

ADVANTAGE
Baths

JETTA



E-2

Code #	Description	Model #
--------	-------------	---------

E-2

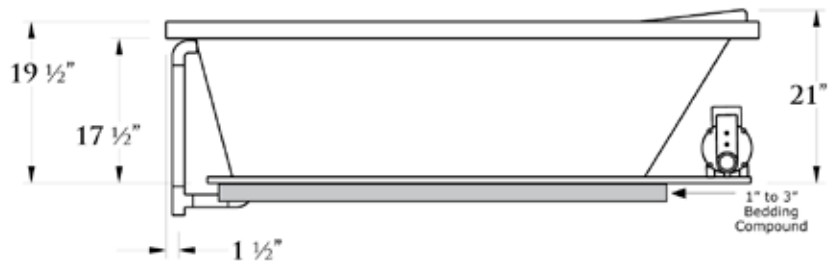
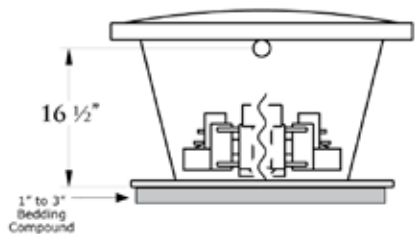
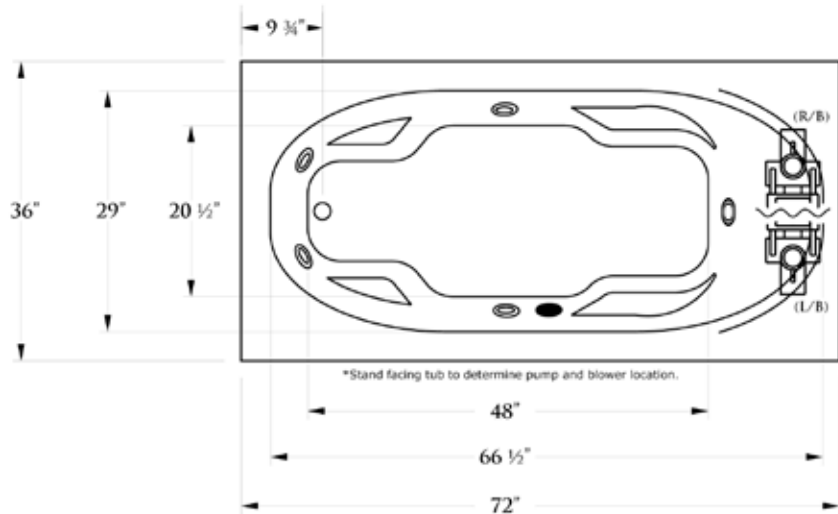
The comfort of arm and foot rests, along with integral neck support make this an excellent choice where space is a consideration.

- 72 x 36 x 21
- Shape: Rectangle
- Number of jets: 5

Advantage Features Include:

- * 5 directional jets including:
 - 1 back jet
 - 2 side jets
 - 2 foot jets
- * Sculpted armrests
- * Operating Gallons (approx.) 40

118-0140	White Drop-In Whirlpool	E2-6385RH
----------	-------------------------	-----------



See <http://www.jettacorp.com> for current dimensions



ADVANTAGE
Baths

JETTA



E-12

Code #	Description	Model #
--------	-------------	---------

E-12

This comfortable bath has both head and arm rests while featuring a very large bathing area.

- 60 x 32 x 22
- Shape: Rectangle
- Number of jets: 5

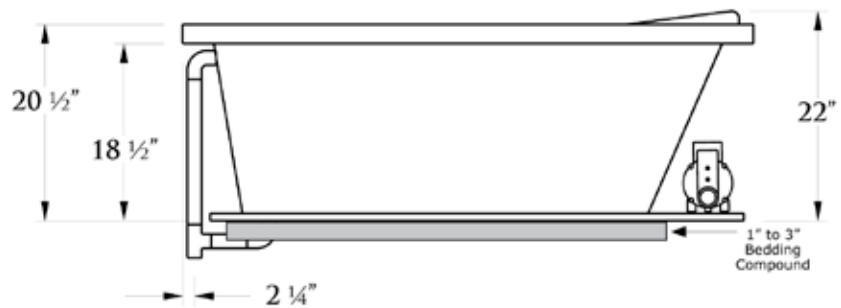
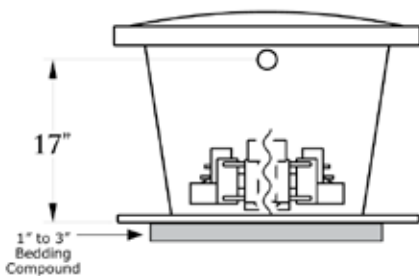
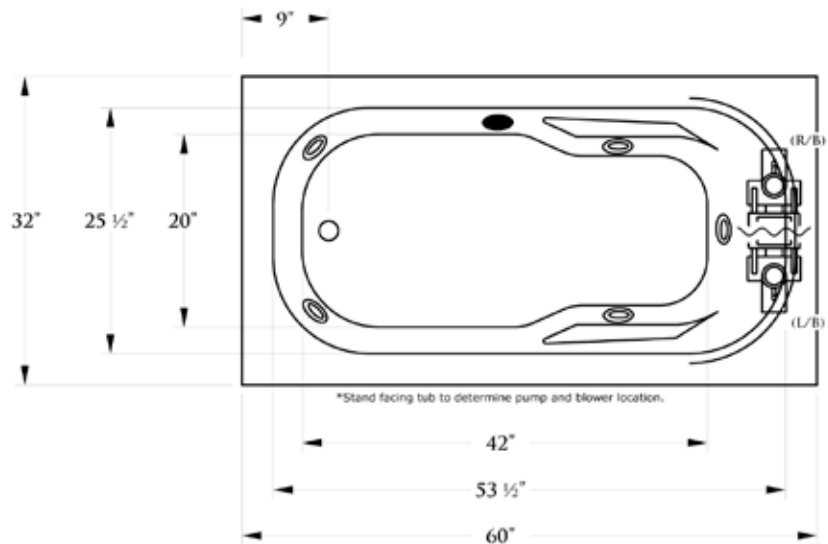
5 directional jets including

- 1 back jet
- 2 hip jets
- 2 foot jets

* Sculpted armrests

* Operating Gallons (approx.) 40

118-0150	White Skirted Whirlpool	E12S-6385LHLB
118-0160	White Skirted Whirlpool	E12S-6385RHRB



See <http://www.jettacorp.com> for current dimensions

